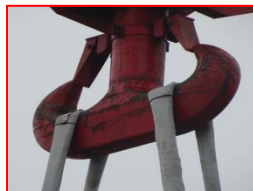
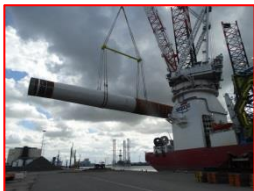


# Lift-TEX Industrie B.V. – Extreema® Heavy Lift



## Fitting table

### Lift-TEX® Extreema® HMPE soft slings with Van Beest GP Sling Shackle\*\*

Applies to shackles P-6033

Article code shackle	Shackle WLL (t)	On the bow		On the pin	
		Round sling WLL (t) SF7*	Round sling WLL (t) SF5*	Round sling WLL (t) SF7*	Round sling WLL (t) SF5*
SLGPF0007	7	15	20	3	5
SLGPF0012	12,5	20	30	5	10
SLGPF0018	18	30	40	10	15
SLGPF0030	30	45	65	15	20
SLGPF0040	40	55	75	20	25
SLGPF0055	55	65	90	25	30
SLGPF0075	75	80	110	30	50
SLGPF0125	125	110	150	45	60
SLGPF0150	150	140	200	55	75
SLGPF0200	200	150	225	65	85
SLGPF0250	250	200	275	75	100
SLGPF0300	300	225	325	85	125
SLGPF0400	400	250	350	120	175
SLGPF0500	500	325	450	150	200
SLGPF0600	600	350	550	175	200
SLGPF0700	700	400	550	200	225
SLGPF0800	800	450	550	200	250
SLGPF0900	900	450	600	200	300
SLGPF1000	1.000	450	600	225	325
SLGPF1250	1.250	500	700	275	350
SLGPF1550	1.550	550	750	300	400

#### Abbreviations;

SF = Safety Factor

WLL = Working Load Limit

1t = 1.000 kg

On the bow



On the pin

Please visit [www.extreemasoftslings.com](http://www.extreemasoftslings.com) or contact our sales department for more information.

E-mail: [sales@lift-tex.nl](mailto:sales@lift-tex.nl) – Phone: +31-(0)594-200010

**There are no limits in using quality products for safer lifting jobs**

EXTREEMA® is a registered trade mark of LIFT-TEX® The Netherlands. Use of these trademarks is prohibited unless strictly authorized. Dyneema® and “Dyneema®, the world's strongest fiber™” are trademarks of Royal DSM. Use of these trademarks is prohibited unless strictly authorized. All rights reserved © Version 2021.

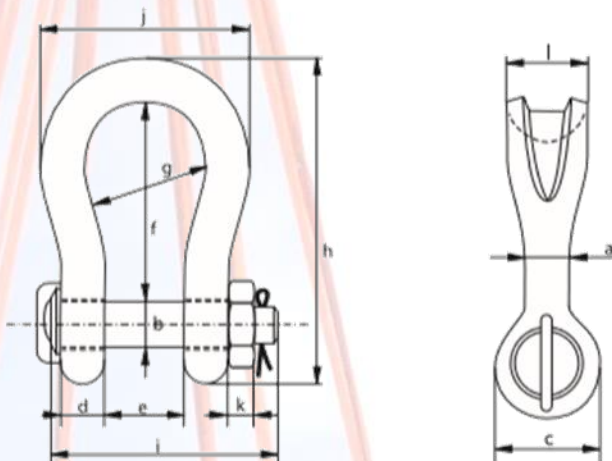
<https://www.lift-tex.nl/> - <https://extreemasoftslings.com/>



# Lift-TEX Industrie B.V. – Extreema® Heavy Lift



Shackle P-6033



\*Proper fit based on the given safety factor (SF).

\*\*Also referred to as 'Wide Body Shackle'.

**Note, in some cases the WLL of the round sling is higher than the WLL of the shackle. In this case, the load should be reduced to shackle capacity.**

*This document states the technical data of Extreema® heavy lift round slings.*

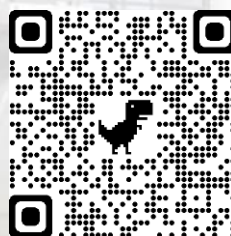
*The above mentioned figures are subject to amendments as a result of continuous product development.*

*No legal rights can be claimed from the above.*

Other fitting tables;



Shackle datasheet;



Please visit [www.extreemasoftslings.com](http://www.extreemasoftslings.com) or contact our sales department for more information.

E-mail: [sales@lift-tex.nl](mailto:sales@lift-tex.nl) – Phone: +31-(0)594-200010

***There are no limits in using quality products for safer lifting jobs***

EXTREEMA® is a registered trade mark of LIFT-TEX® The Netherlands. Use of these trademarks is prohibited unless strictly authorized. Dyneema® and "Dyneema®, the world's strongest fiber™" are trademarks of Royal DSM. Use of these trademarks is prohibited unless strictly authorized. All rights reserved © Version 2021.

<https://www.lift-tex.nl/> - <https://extreemasoftslings.com/>

